

➤ Installation guide

You just bought the **Mini LED projector colour OR white** from the SeaMAID range. Thank you for your trust .
Follow this guide and the online video for an easy and quick installation.



MINI PROJECTOR

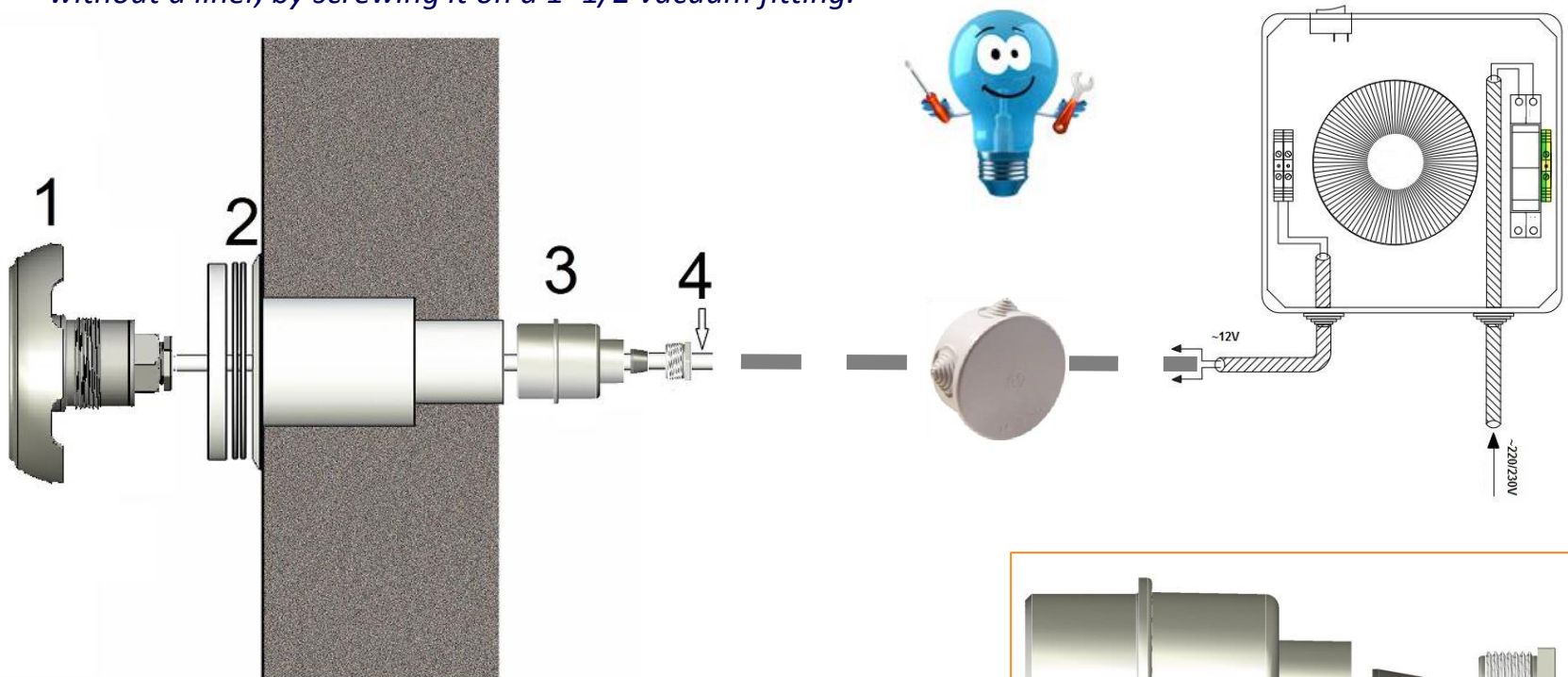
TO BE SCREWED ON A 1,5' VACUUM FITTING
References 500859 and 500866

Above ground pool equipment

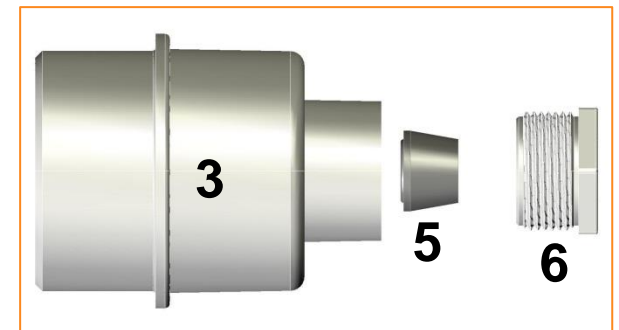


> Product presentation,

This ~12V flat LED lighting system can be installed in all types of pool, with or without a liner, by screwing it on a 1 1/2 vacuum fitting.



Projector	1,5' Vacuum fitting	Adapter	Cable	Conical seal	nut
1	2	3	4	5	6



> Installation

A step by step assistance



Recommendations

Before any installation, **it is important to provide a 1"1/2 vacuum fitting compatible with the screwing method.** Be sure that the wall inlet corresponds to the type of pool structure and does not leak. **Do not use in an above ground or freestanding pool.**

The wall inlet must be connected to a junction box by a waterproof conduit. The cable must pass through the conduit and connect to a ~12V power supply in a connection box fed by **a safety isolating transformer** with a power higher by at least 20% to the total of all connected projectors.

Using other types of transformer is prohibited. It is important to tighten the back gland nut otherwise it may cause irreversible damage.

Handle the projectors with care and on a clean cloth support.

> Installation

A step by step assistance



1. Before any operation, turn off the ~12V power supply from safety isolating transformer.
2. Glue the SeaMAID adapter (3) at the back of the wall inlet (2), diameter 50mm.
3. Pass the cable (5) through the inlet fitting and tight it up.
4. Screw on the projector(1) with hand to a complete blockage against the vacuum fitting (2).
5. Pass the cable through the conical joint (5) and the adapter back nut (6).
6. Screw the nut to a complete blockage of the adapter
7. Connect the cable to the ~12V power supply in the junction box using waterproof connectors
8. Switch the ~12V power on, the projector lights.

Caution: use the black gasket with the size adapted to the vacuum fitting to maintain the projector position after screwing

> Use

RGB 500866 model, 16 On/Off programs



Manual programs including **11 static colours and 5 controlled atmospheres**

- The mini RGB LED projector On/Off control is manual, using the on/off switch of the projector power. A cut of the current of less than 2 seconds makes the program change. After a cut of the current for over 10 seconds, switch on restarts from the last program used.
- For the first use, the projector lights on the program 1 (all LED lit). Then you go to the 11 static colours, followed by 5 automatic programs.
- It is as well possible to use a ~12V radio switch and install it on the ~220V/12V safety isolating transformer output.
- To be synchronized on the On/Off manual mode, the colour projectors must be connected to the same power supply.

Recommandations :

In all cases, refer to the leaflet provided with the product.

In case of difficulty during the installation or use, it is recommended to watch **the installation video** and to read the **FAQ on our website**

> Accessories

Find here the compatible and recommended accessories

> SeaMAID low voltage radio switch:

To control 1 to 12 lamps, choose between the 1 and 4 channel module to install on the ~12V projector(s) power supply



Model 500743



Model 500750

> SeaMAID power supply box:

Special power box for the SeaMAID range low voltage LED projectors, ~220/230V – 12V with 100W safety transformer



Model 500996

Recommendations :

Discover the [online](#) SeaMAID range products

In case of difficulty during the installation or the use, it is recommended to watch [the installation video](#) and read the [FAQ](#) on our website.

> **SeaMAID, proof of quality and reliability**



> **Quality:** SeaMAID products are developed exclusively by our French R&D team then manufactured in China and marketed after a rigorous quality-control.

SeaMAID products range is **certified TÜV Rheinland** thus proving the safety and quality of the proposed products.

> **Reliability :** Each SeaMAID product is guaranteed 24 months in standard exchange. Thanks to an exclusive development, the optics brings a confort in the use of the products; plastic parts are soldered by friction thus ensuring a perfect seal.