

FLAT PROJECTOR LED COLOR LIGHTING FOR POOLS



Model : 502877

Type : 90 LED 3528 / 120°

Color : 30R, 30G, 30B

Control : On/Off and 433Mhz radio remote

Function : 11 static colors et 5 sequences

Material : Fixture and lens in polycarbonate (PC), ring in ASA
1,5" threat to screw in vacuum fitting

Wire connection : 2 screw terminals
2 meters HO7RNF wire 2x1,5mm²

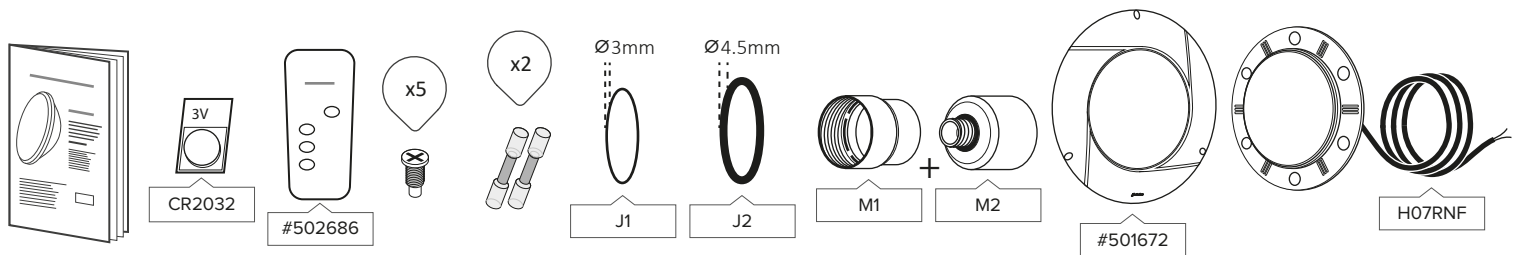
HS code : 9405423100

Bar code : 3700450502877

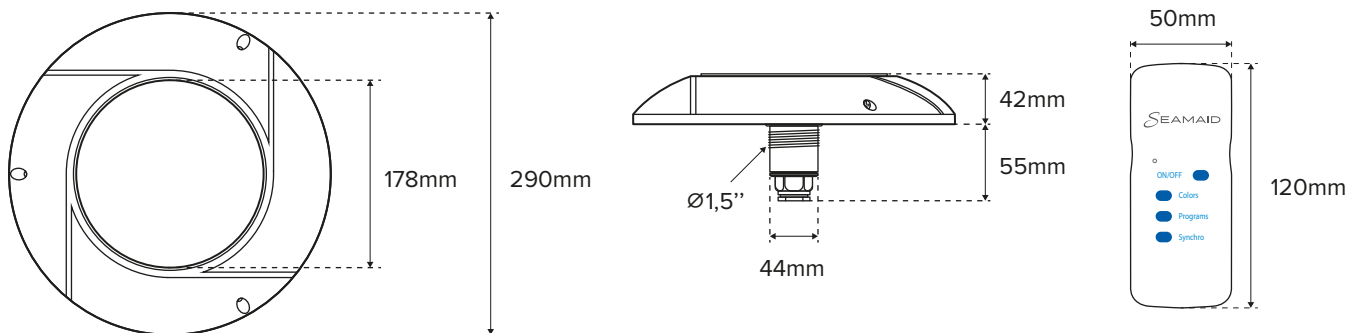
Option :

- Above ground pool installation kit (#501009)

CONTENT OF THE PACKAGING



DIMENSIONS



PACKING

Part Number.	Box	Weight	Size	Carton	Weight	Size	Pallet	Weight	Size
502877	1U	1,52kg	30x30x11,5cm	5U	8,6kg	60x32x32cm	180U	323kg	100x120x207cm

PHOTOMETRY

Ra (IRC) : N/A
 Beam angle : 120°
 Nominal luminous flux : 600 lumens max.
 Extractable light source : ALP02
 Light source energy class : N/A
 This swimming pool luminaire contains an extractable LED light source with color change not concerned by the EU2019/2015 and 2019/2020 regulations.



EN 17645

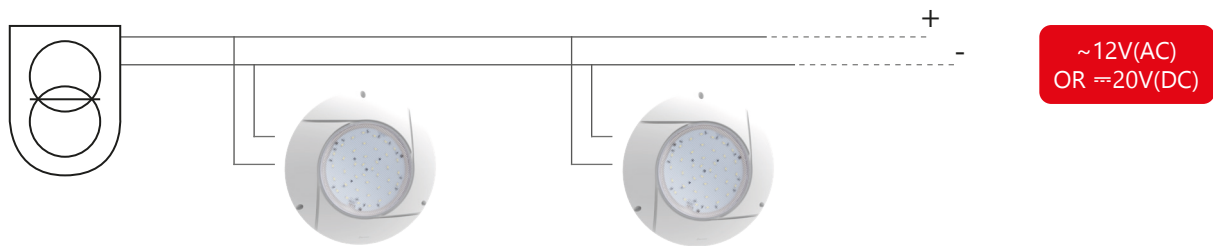
ELECTRICAL PARAMETERS

Electric class : III
 Instant power max : 16W
 Input voltage : ~12V(AC) 50/60Hz or =20V(DC)
 PF max : 0,7 if ~12V(AC)
 PF max : 1 if =20V(DC)
 Mini power supply with $[(P_i / PF) + 20\%]$ if ~12V(AC) = 28VA
 if =20V(DC) = 20VA



CONNECTION

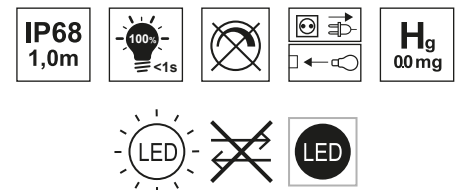
Use a 2 x 1,5mm² minimum cross section of connecting cable, to adapt according to the distance between the junction box of the projector and the transformer well as the power input.



USE ONLY WITH A SAFETY TRANSFORMER / DO NOT PLUG IN SERIES /
 PROTECT THE CONNECTOR WITH INSULATING GEL

OTHER PARAMETERS

Protection index : IP68 -1,0m
 LED life span : > 15 000h
 On/Off cycles : > 100 000
 Use : This pool light is designed for use in permanent immersion in water with a IP68 waterproof rating. The spin welding assembly process of the optical part with its support, does not allow its reparability. The light source is not replaceable and in case of failure, it is necessary change all the luminaire. The external cable or cord of this luminaire cannot be replaced ; if the cord is damaged, the luminaire shall be destroyed.

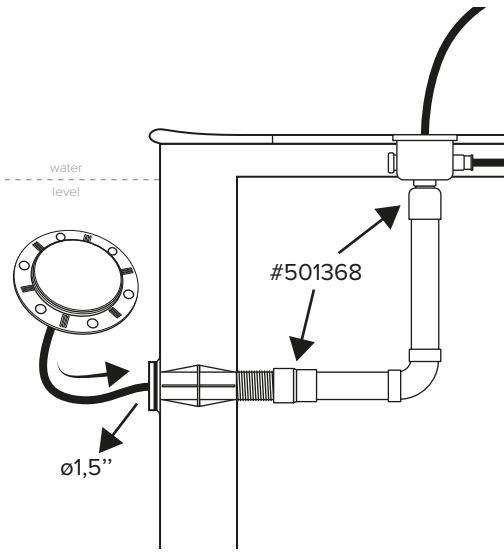


CERTIFICATIONS

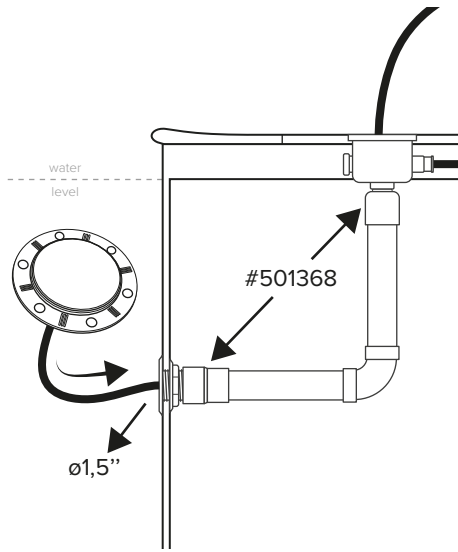
EMC 2014/30/EU Directive.
 EN60598-1 / EN60598-2-18 Norm in all its modifications.
 Radio RED 2014/53/EU Directive.
 Radio UKSI 2017 n°:1206 Directive.



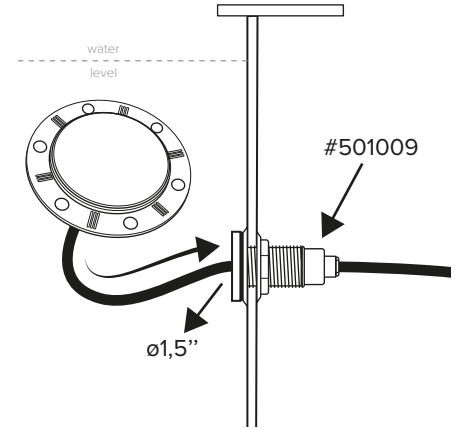
PRINCIPLE OF INSTALLATION



Example for in-ground pool with liner



Example for in-ground pool polyester



Example for above-ground pool

For more information, see the product leaflet.

