

MINI LED PROJECTOR COLOR LIGHTING FOR POOLS

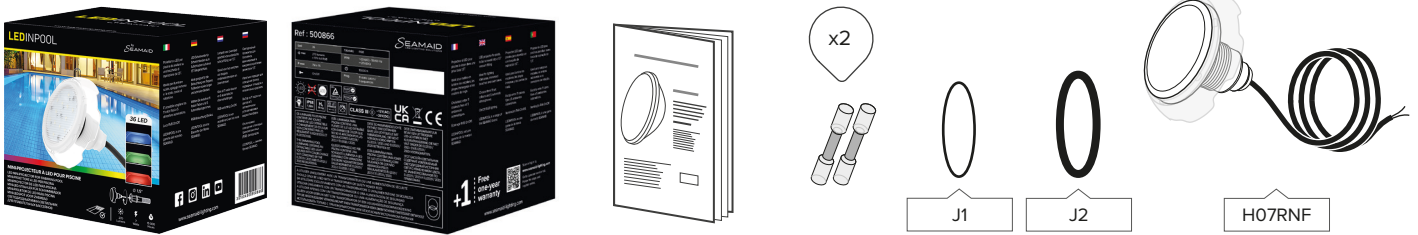


Model : 500866
Type : 36 LED 3528 / 120°
Color : 12R, 12G, 12B
Control : On/Off
Function : 11 static colors et 5 sequences
Material : lens and cup in Polycarbonate (PC)
 1,5" threat to screw in vacuum fitting
Wire connection : 2 screw terminals
 2 meters HO7RNF wire 2x1,5mm²
HS code : 9405423100
Bar code : 3700450500866

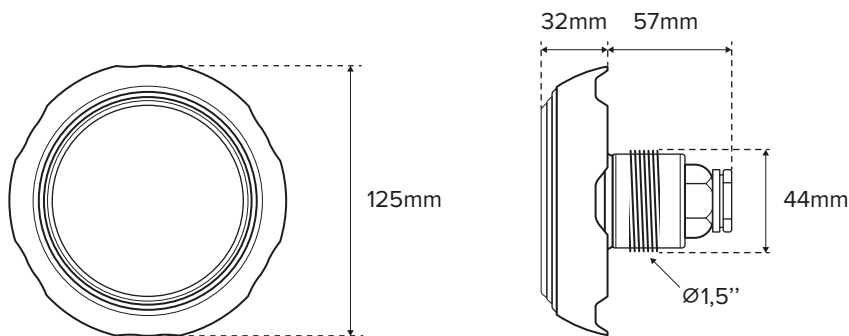
Option :

- Above ground pool installation kit (#501009)
- Inground pool installation kit (#501368)

CONTENT OF THE PACKAGING



DIMENSIONS



PACKING

| Part Number. | Box | Weight | Size | Carton | Weight | Size | Pallet | Weight | Size |
|--------------|-----|--------|--------------|--------|--------|------------|--------|--------|--------------|
| 500866 | 1U | 0,56kg | 15x15x14,5cm | 6U | 4kg | 47x32x15cm | 576U | 398kg | 80x120x204cm |

PHOTOMETRY

Ra (IRC) : N/A
 Beam angle : 120°
 Nominal luminous flux : 270 lumens max.
 Extractable light source : MPLRGB-LED
 Light source energy class : N/A
 This swimming pool luminaire contains an extractable LED light source with color change not concerned by the EU2019/2015 and 2019/2020 regulations.



EN 17645

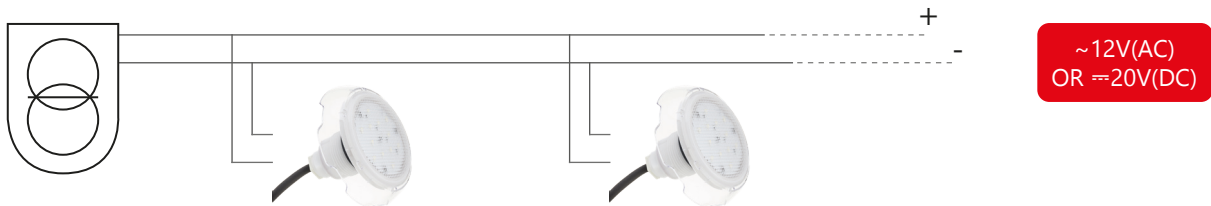
ELECTRICAL PARAMETERS

Electric class : III
 Instant power max : 7W
 Input voltage : ~12V(AC) 50/60Hz or =20V(DC)
 PF max : 0,7 if ~12V(AC)
 PF max : 1 if =20V(DC)
 Mini power supply with $[(P_i / PF) + 20\%]$ if ~12V(AC) = 12VA
 if =20V(DC) = 9VA



CONNECTION

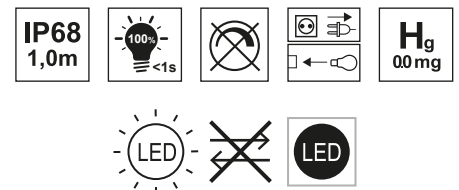
Use a 2 x 1,5mm² minimum cross section of connecting cable, to adapt according to the distance between the junction box of the projector and the transformer well as the power input.



USE ONLY WITH A SAFETY TRANSFORMER / DO NOT PLUG IN SERIES /
 PROTECT THE CONNECTOR WITH INSULATING GEL

OTHER PARAMETERS

Protection index : IP68 -1,0m
 LED life span : > 15 000h
 On/Off cycles : > 100 000
 Use : This pool light is designed for use in permanent immersion in water with a IP68 waterproof rating. The spin welding assembly process of the optical part with its support, does not allow its reparability. The light source is not replaceable and in case of failure, it is necessary change all the luminaire. The external cable or cord of this luminaire cannot be replaced ; if the cord is damaged, the luminaire shall be destroyed.

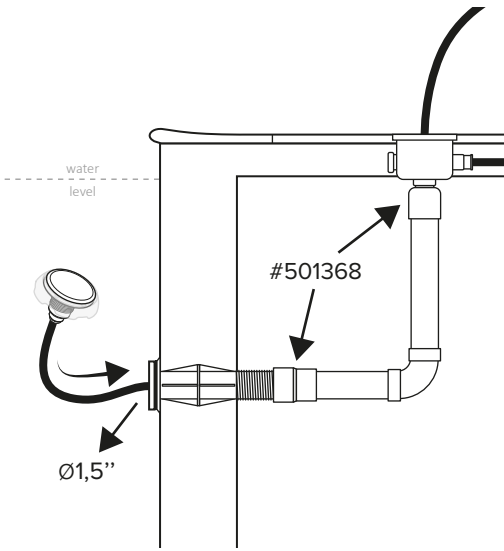


CERTIFICATIONS

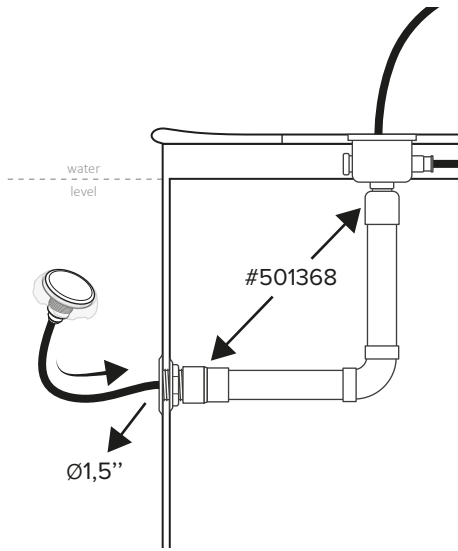
EMC 2014/30/EU Directive.
 EN60598-1 / EN60598-2-18 Norm in all its modifications.



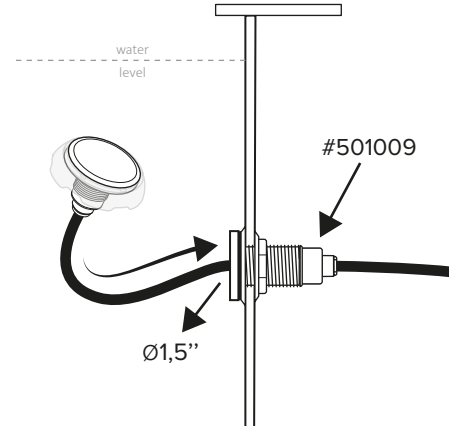
PRINCIPLE OF INSTALLATION



Example for in-ground pool with liner



Example for in-ground pool polyester



Example for above-ground pool

For more information, see the product leaflet.

