

## HIKARI - PAR56 ECOPROOF™ LED LAMP

COLD WHITE LIGHTING FOR POOLS



**Model :** 502709

**Type :** 120 LED 3528 / 120°

**Color :** cold white 6500K

**Control :** On/Off

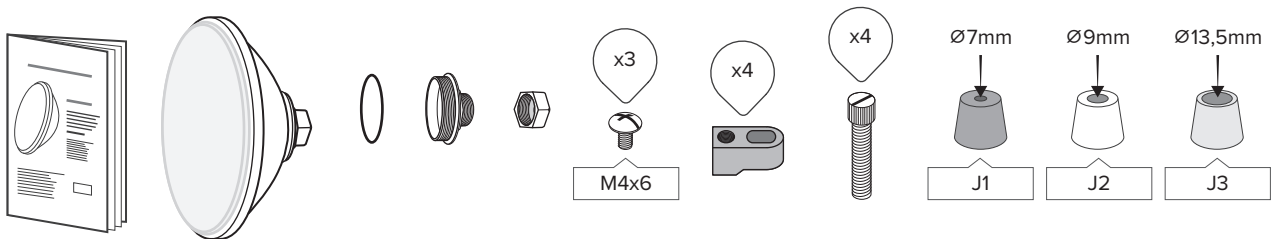
**Material :** lens, cup and nut in Polycarbonate (PC),  
Gland in nylon (PA)

**Wire connection :** 2 screw terminals

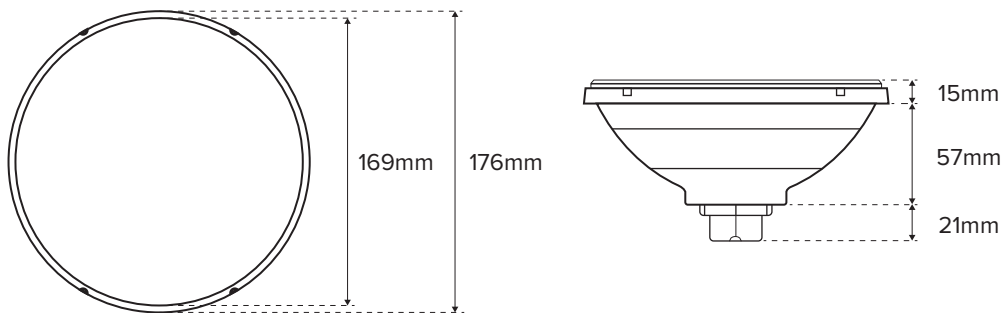
**HS code :** 9405423190

**Bar code :** 3700450502709

### CONTENT OF THE PACKAGING



### DIMENSIONS



### PACKING

Part Number	Box	Weight	Size	Carton	Weight	Size	Pallet	Weight	Size
502709	1U	0,77kg	22,5x21x11,5cm	4U	3,5kg	44x25,5x25cm	-	-	-

# HIKARI - PAR56 ECOPROOF™ LED LAMP

COLD WHITE lighting for pools

## PHOTOMETRY

Ra (IRC) : 85  
Beam angle : 120°  
Nominal luminous flux : 2300 lumens max.  
Extractable light source : ALP12  
Light source energy class : D  
This swimming pool luminaire contains an extractable LED light source of type ALP12 and energy class (D).



EN 17645



EPREL

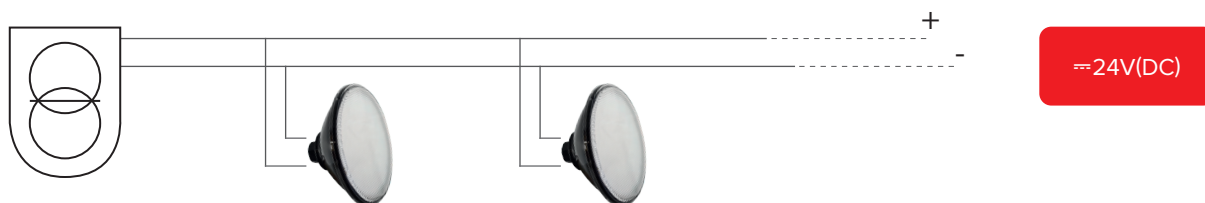
## ELECTRICAL PARAMETERS

Instant power max : 20W  
Input voltage :  $\approx$ 24V(DC)  
PF max : 1  
Electrical Class : III

CLASS III

## CONNECTION

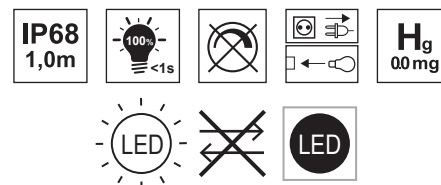
Use a 2 x 1mm<sup>2</sup> minimum cross section of connecting cable, to adapt according to the distance between the junction box of the projector and the transformer well as the power input.



USE ONLY WITH A SAFETY TRANSFORMER / DO NOT PLUG IN SERIES /  
PROTECT THE CONNECTOR WITH INSULATING GEL

## OTHER PARAMETERS

Protection index : IP68 -1,0m  
LED life span : > 10 000h  
On/Off cycles : > 100 000  
Use : This pool light is designed for use in permanent immersion in water with a IP68 waterproof rating. The spin welding assembly process of the optical part with its support, does not allow its reparability. The light source is not replaceable and in case of failure, it is necessary change all the luminaire.

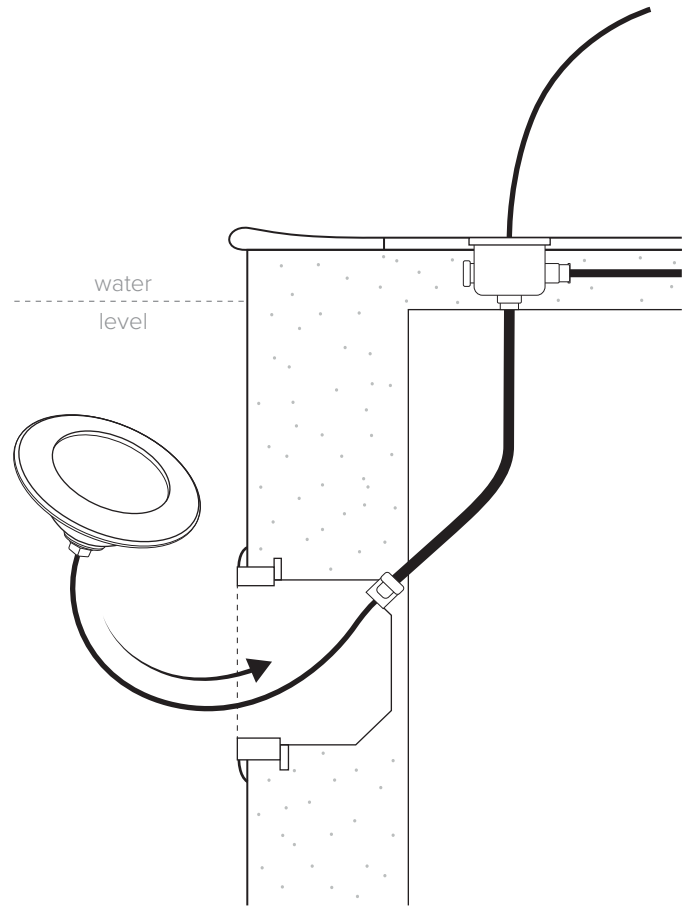
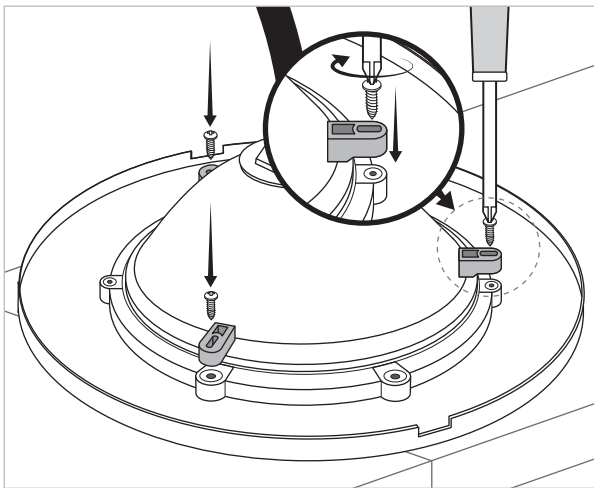
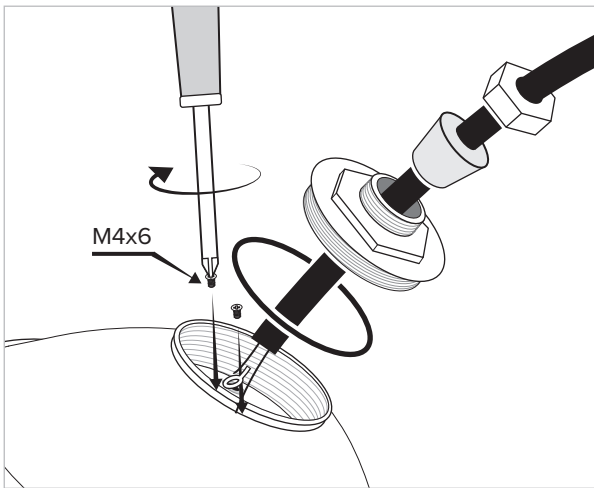


## CERTIFICATION

EMC 2014/30/EU Directive.  
EN60598-1 / EN60598-2-18 Norm in all its modifications.



## PRINCIPLE OF INSTALLATION



For more information, see the product leaflet.

