

PAR56 LED LAMP STANDARD

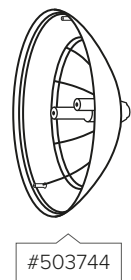
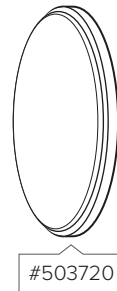
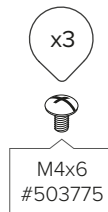
COLOR LIGHTING FOR POOLS



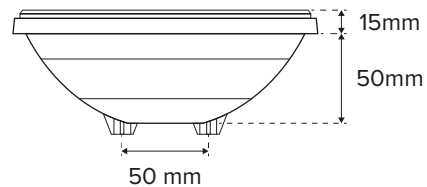
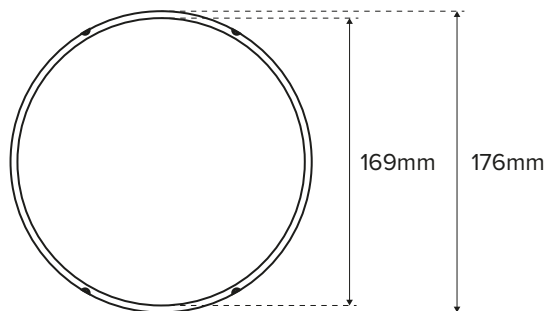
Model : 502631
Type : 90 LED 3528 / 120°
Color : 30R, 30G, 30B
Control : On/Off
Fonction : 11 static colour / 5 sequences
Material : cup and optics in polycarbonate (PC)
Wire connection : 2 screw terminals
HS code : 9405423100
Bar code : 3700450502631
Option : radio remote control 433,92MHz, ref: 502686



PACKAGING AND THE CONTENT



DIMENSIONS



PACKING

Part Number	Box	Weight	Size	Carton	Weight	Size	Pallet	Weight	Size
502631	1U	0,69kg	20x20,5x11cm	6U	4,425kg	61,5x21x22,5cm	432U	337kg	100x120x224cm

PHOTOMETRY

Ra (IRC) : N/A
 Beam angle : 120°
 Nominal luminous flux : 600 lumens max.
 Extractable light source : ALP02
 Light source energy class : N/A
 This swimming pool luminaire contains an extractable LED light source with color change not concerned by the EU2019/2015 and 2019/2020 regulations.



EN 17645

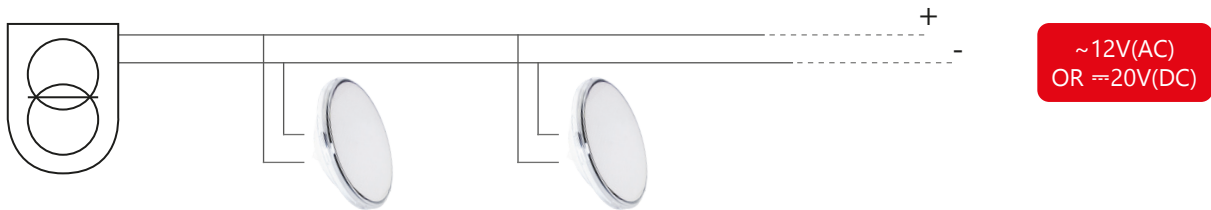
ELECTRICAL PARAMETERS

Electric class : III
 Instant power max : 16W
 Input voltage : ~12V(AC) 50/60Hz or =20V(DC)
 PF max : 0,7 if ~12V(AC)
 PF max : 1 if =20V(DC)
 Mini power supply with $[(P_i / PF) + 20\%]$ if ~12V(AC) = 28VA
 if =20V(DC) = 20VA

CLASS III

CONNECTION

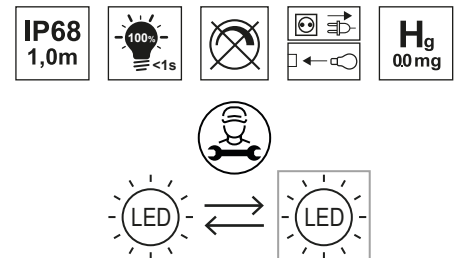
Use a 2 x 1mm² minimum cross section of connecting cable, to adapt according to the distance between the junction box of the projector and the transformer well as the power input.



USE ONLY WITH A SAFETY TRANSFORMER / DO NOT PLUG IN SERIES /
 PROTECT THE CONNECTOR WITH INSULATING GEL

OTHER PARAMETERS

Protection index : IP68 -1,0m
 LED life span : > 15 000h
 On/Off cycles : > 100 000
 Use : This pool light is designed for use in permanent immersion in water with a IP68 waterproof rating. In the event of failure, the light source shall only be replaced by a suitably qualified and authorised technician.

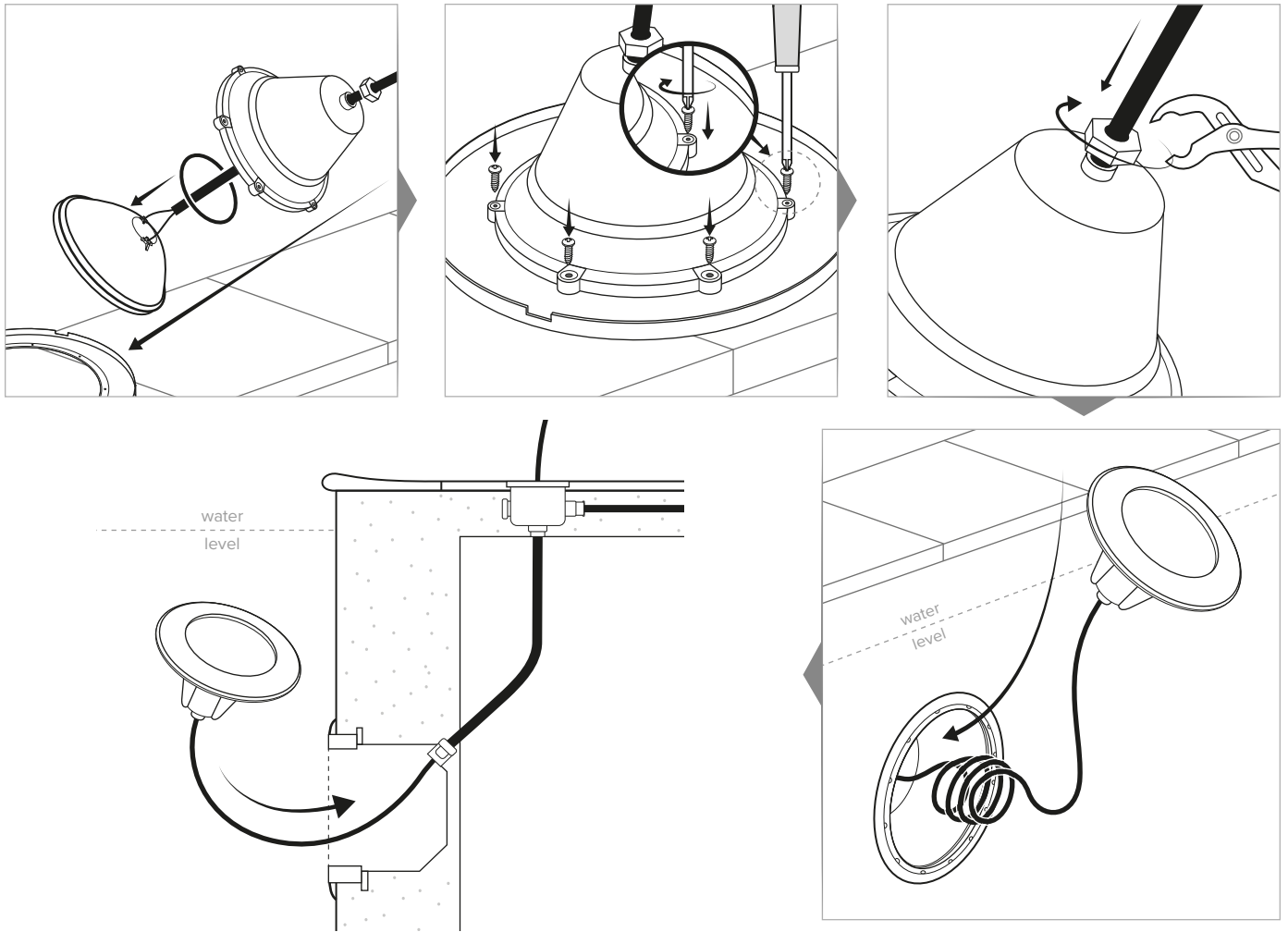


CERTIFICATIONS

EMC 2014/30/EU Directive.
 Radio RED 2014/53/EU Directive.
 EN60598-1 / EN60598-2-18 Norm in all its modifications.
 Radio Equipment Regulations UKSI 2017 n°: 1206.



PRINCIPLE OF INSTALLATION



For more information, see the product leaflet.

