

FLAT LED PROJECTOR COLD WHITE LIGHTING FOR POOLS



Model : 502860

Type : 60 LED 3528 / 120°

Color : cold white 6500K

Control : On/Off

Material : fixture and lens in polycarbonate (PC), ring in ASA
1,5" threat to screw in vacuum fitting

Wire connection : 2 screw terminals
2 meters HO7RNF wire 2x1,5mm²

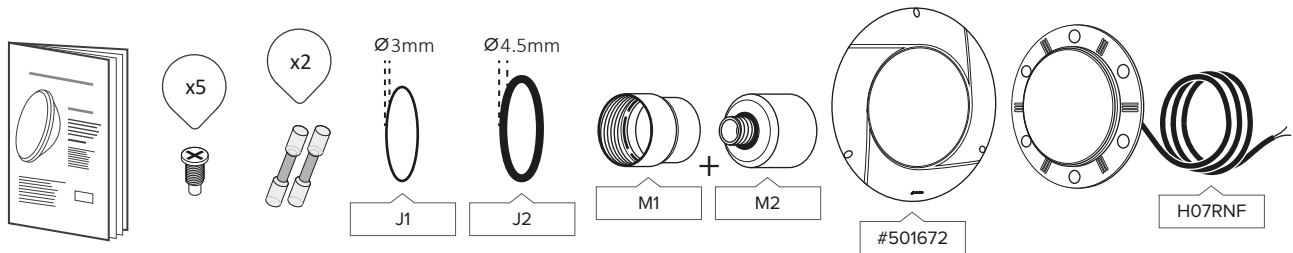
HS code : 9405423100

Bar code : 3700450502860

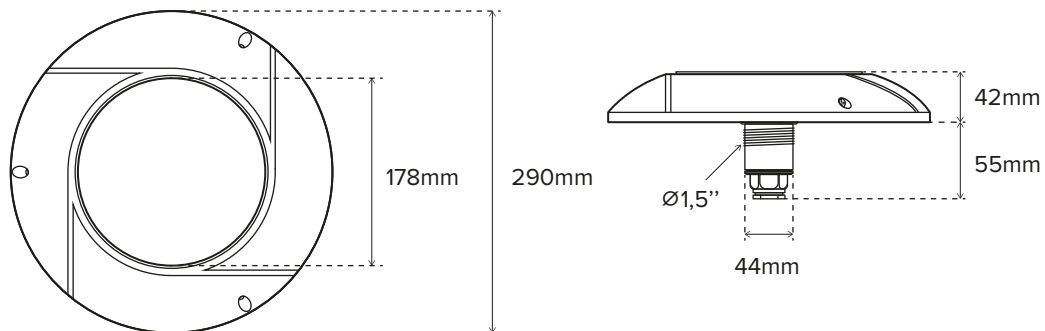
Option :

- Above ground pool installation kit (#501009)

CONTENT OF THE PACKAGING



DIMENSIONS



PACKING

| Part Number. | Box | Weight | Size | Carton | Weight | Size | Pallet | Weight | Size |
|--------------|-----|--------|--------------|--------|--------|------------|--------|--------|---------------|
| 502860 | 1U | 1,46kg | 30x30x11,5cm | 5U | 8,3kg | 60x32x32cm | 180U | 312kg | 100x120x207cm |

PHOTOMETRY

Ra (IRC) : 85
 Beam angle : 120°
 Nominal luminous flux : 1450 lumens max.
 Extractable light source : ALP01
 Light source energy class : D
 his swimming pool luminaire contains an extractable LED light source of type ALP01 and energy class (D).



EN 17645



EPREL

ELECTRICAL PARAMETERS

Electric class : III
 Instant power max : 13W
 Input voltage : ~12V(AC) 50/60Hz or =20V(DC)
 PF max : 0,7 if ~12V(AC)
 PF max : 1 if =20V(DC)
 Mini power supply with $[(P_i / PF) + 20\%]$ if ~12V(AC) = 23VA
 if =20V(DC) = 28VA



CONNECTION

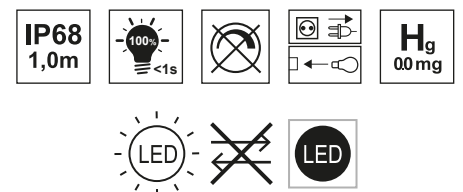
Use a 2 x 1,5mm² minimum cross section of connecting cable, to adapt according to the distance between the junction box of the projector and the transformer well as the power input.



USE ONLY WITH A SAFETY TRANSFORMER / DO NOT PLUG IN SERIES /
 PROTECT THE CONNECTOR WITH INSULATING GEL

OTHER PARAMETERS

Protection index : IP68 -1,0m
 LED life span : > 10 000h
 On/Off cycles : > 100 000
 Use : This pool light is designed for use in permanent immersion in water with a IP68 waterproof rating. The spin welding assembly process of the optical part with its support, does not allow its reparability. The light source is not replaceable and in case of failure, it is necessary change all the luminaire. The external cable or cord of this luminaire cannot be replaced ; if the cord is damaged, the luminaire shall be destroyed.

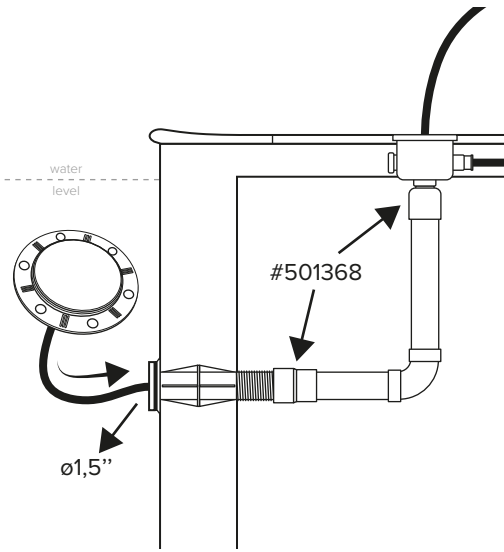


CERTIFICATIONS

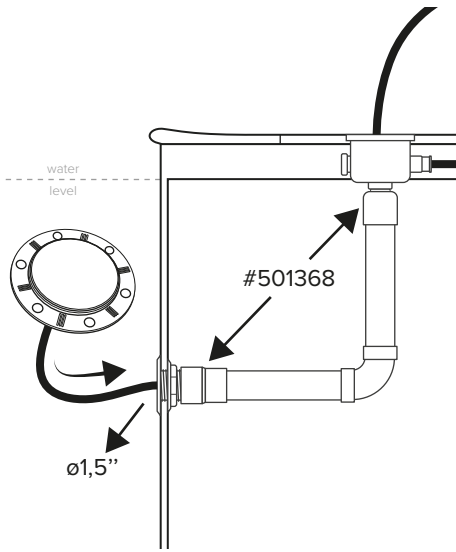
EMC 2014/30/EU Directive.
 EN60598-1 / EN60598-2-18 Norm in all its modifications.



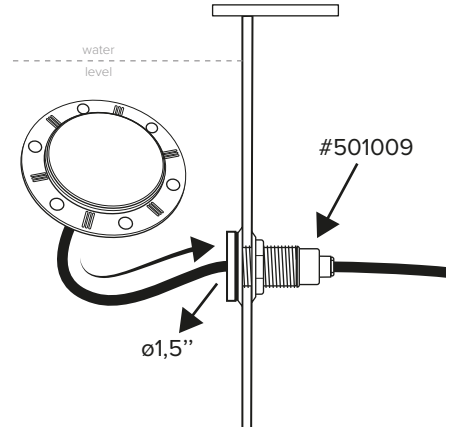
PRINCIPLE OF INSTALLATION



Example for inground pool with liner



Example for inground pool polyester



Example for above-ground pool

For more information, see the product leaflet.

