

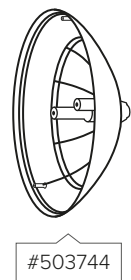
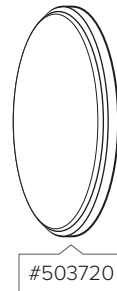
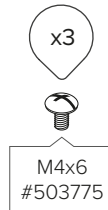
PAR56 LED LAMP STANDARD

AMBER LIGHTING FOR POOLS

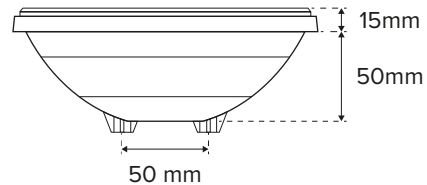
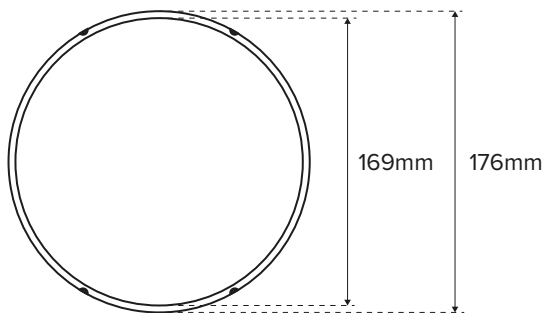


Model : 503478
Type : 60 LED 3528 / 120°
Color : amber
Control : On/Off
Material : cup and optics in polycarbonate (PC)
Wire connection : 2 screw terminals
HS code : 9405423100
Bar code : 3700450503478

PACKAGING AND THE CONTENT



DIMENSIONS



PACKING

Part Number	Box	Weight	Size	Carton	Weight	Size	Pallet	Weight	Size
503478	1U	0,69kg	20x20,5x11cm	6U	4,425kg	61,5x21x22,5cm	432U	337kg	100x120x224cm

PHOTOMETRY

Ra (IRC) : N/A
 Beam angle : 120°
 Nominal luminous flux : 750 lumens max.
 Extractable light source : ALP26
 Light source energy class : N/A
 This swimming pool luminaire contains an extractable LED light source with color change not concerned by the EU2019/2015 and 2019/2020 regulations.



EN 17645

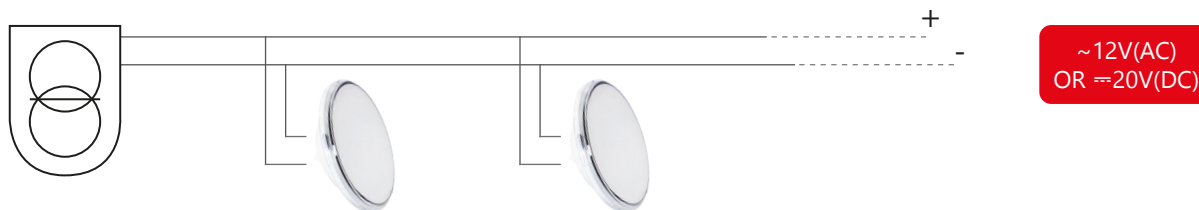
ELECTRICAL PARAMETERS

Electric class : III
 Instant power max : 13W
 Input voltage : ~12V(AC) 50/60Hz or =20V(DC)
 PF max : 0,7 if ~12V(AC)
 PF max : 1 if =20V(DC)
 Mini power supply with $[(P_i / PF) + 20\%]$ if ~12V(AC) = 23VA
 if =20V(DC) = 16VA

CLASS III

CONNECTION

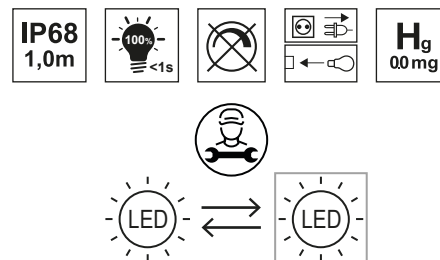
Use a 2 x 1mm² minimum cross section of connecting cable, to adapt according to the distance between the junction box of the projector and the transformer well as the power input.



USE ONLY WITH A SAFETY TRANSFORMER / DO NOT PLUG IN SERIES /
 PROTECT THE CONNECTOR WITH INSULATING GEL

OTHER PARAMETERS

Protection index : IP68 -1,0m
 LED life span : > 10 000h
 On/Off cycles : > 100 000
 Use : This pool light is designed for use in permanent immersion in water with a IP68 waterproof rating. In the event of failure, the light source shall only be replaced by a suitably qualified and authorised technician.

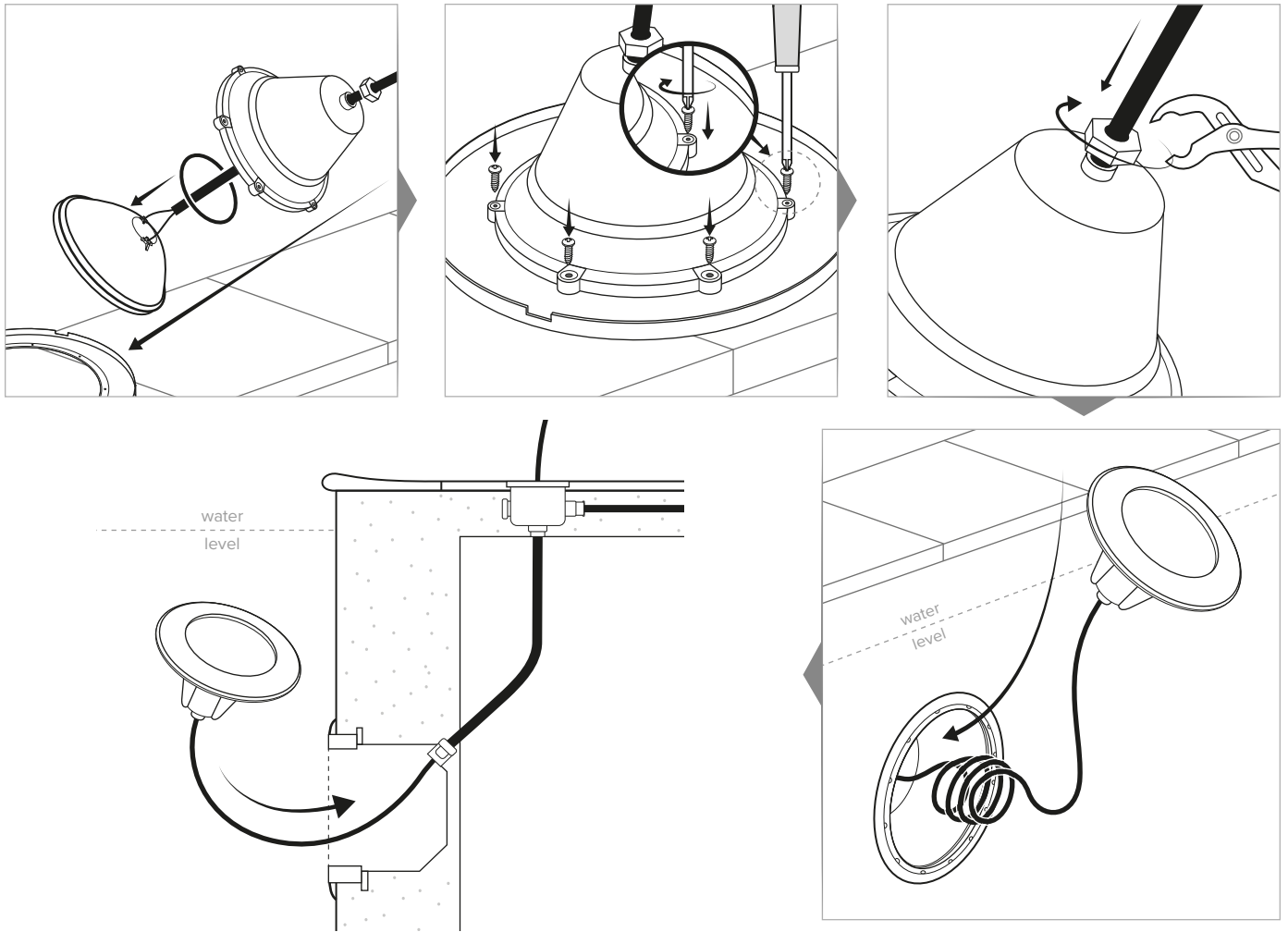


CERTIFICATIONS

EMC 2014/30/EU Directive.
 EN60598-1 / EN60598-2-18 Norm in all its modifications.



PRINCIPLE OF INSTALLATION



For more information, see the product leaflet.

