

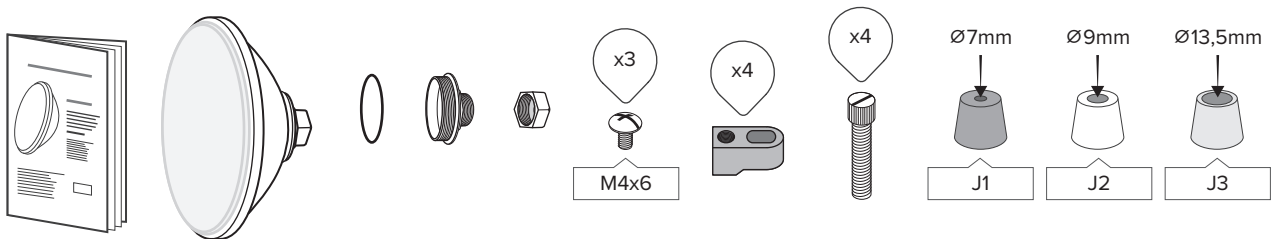
HIKARI - PAR56 ECOPROOF™ LED LAMP

COLOR LIGHTING FOR POOLS

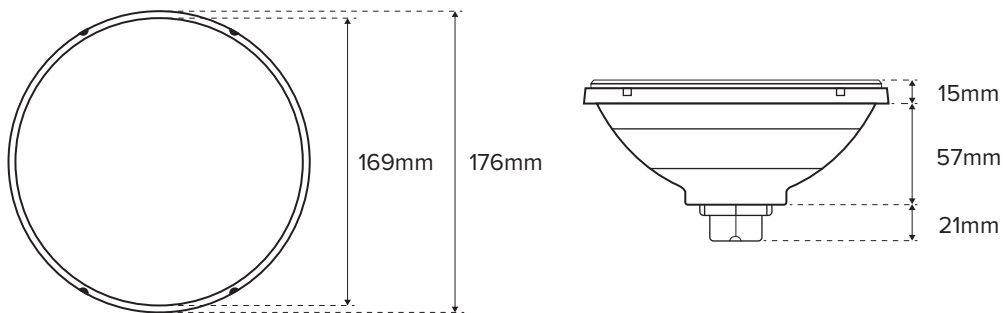


Model : 502723
Type : 120 LED 3528 / 120°
Color : 40R, 40G, 40B
Control : On/Off
Function : 8 static colors et 1 program
Material : lens, cup and nut in Polycarbonate (PC),
 Gland in nylon (PA)
Wire connection : 2 screw terminals
HS code : 9405423190
Bar code : 3700450502723

CONTENT OF THE PACKAGING



DIMENSIONS



PACKING

Part Number	Box	Weight	Size	Carton	Weight	Size	Pallet	Weight	Size
502723	1U	0,77kg	22,5x21x11,5cm	4U	3,5kg	44x25,5x25cm	-	-	-

PHOTOMETRY

Ra (IRC) : N/A
Beam angle : 120°
Nominal luminous flux : 800 lumens max.
Extractable light source : ALP13
Light source energy class : N/A
This swimming pool luminaire contains an extractable LED light source with color change not concerned by the EU2019/2015 and 2019/2020 regulations.



EN 17645

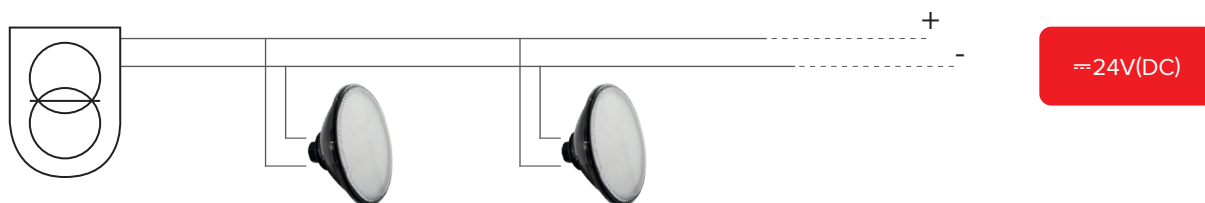
ELECTRICAL PARAMETERS

Instant power max : 16W
Input voltage : \approx 24V(DC)
PF max : 1
Electrical Class : III

CLASS III

CONNECTION

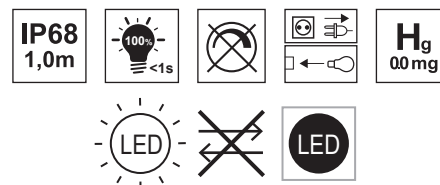
Use a 2 x 1mm² minimum cross section of connecting cable, to adapt according to the distance between the junction box of the projector and the transformer well as the power input.



USE ONLY WITH A SAFETY TRANSFORMER / DO NOT PLUG IN SERIES /
PROTECT THE CONNECTOR WITH INSULATING GEL

OTHER PARAMETERS

Protection index : IP68 -1,0m
LED life span : > 15 000h
On/Off cycles : > 100 000
Use : This pool light is designed for use in permanent immersion in water with a IP68 waterproof rating. The spin welding assembly process of the optical part with its support, does not allow its repairability. The light source is not replaceable and in case of failure, it is necessary change all the luminaire.

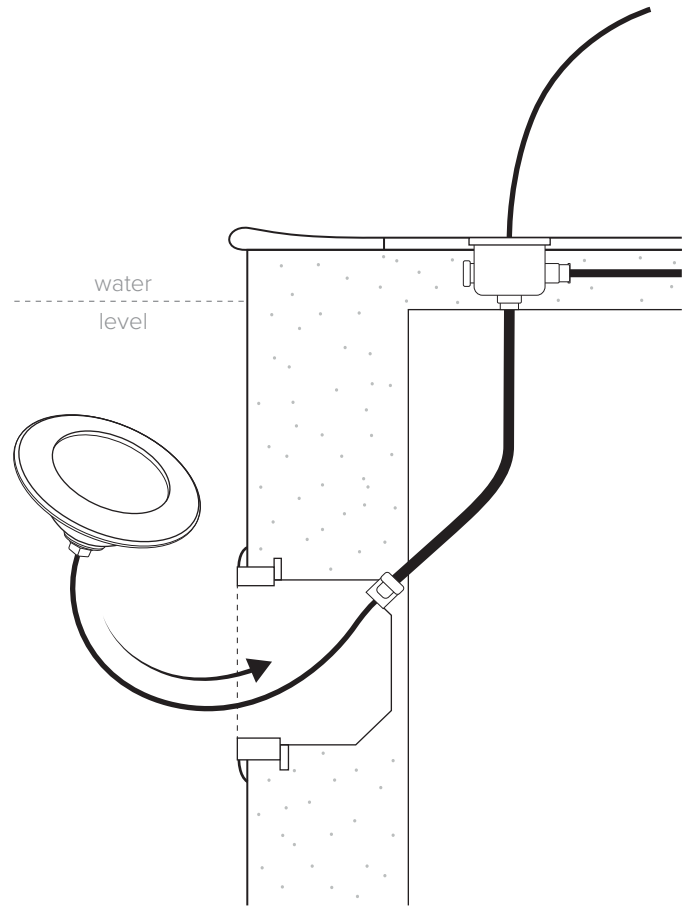
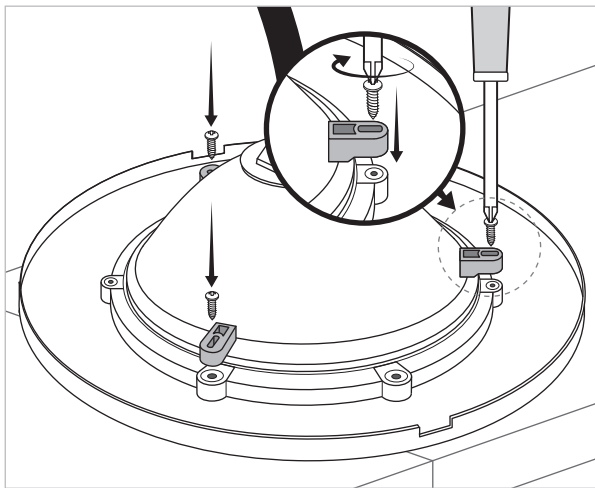
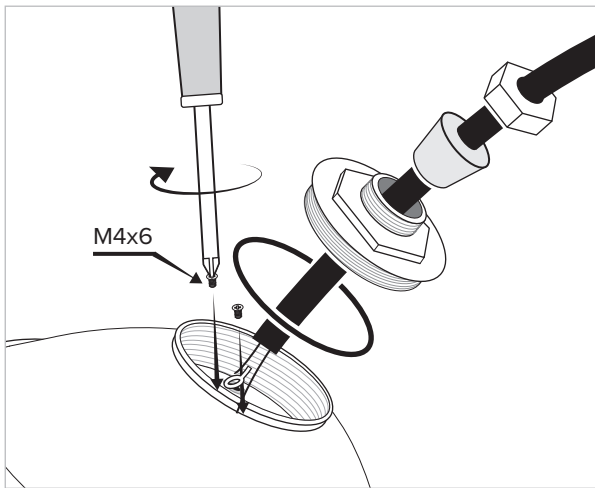


CERTIFICATION

EMC 2014/30/EU Directive.
EN60598-1 / EN60598-2-18 Norm in all its modifications.



PRINCIPLE OF INSTALLATION



For more information, see the product leaflet.

